



## Application area

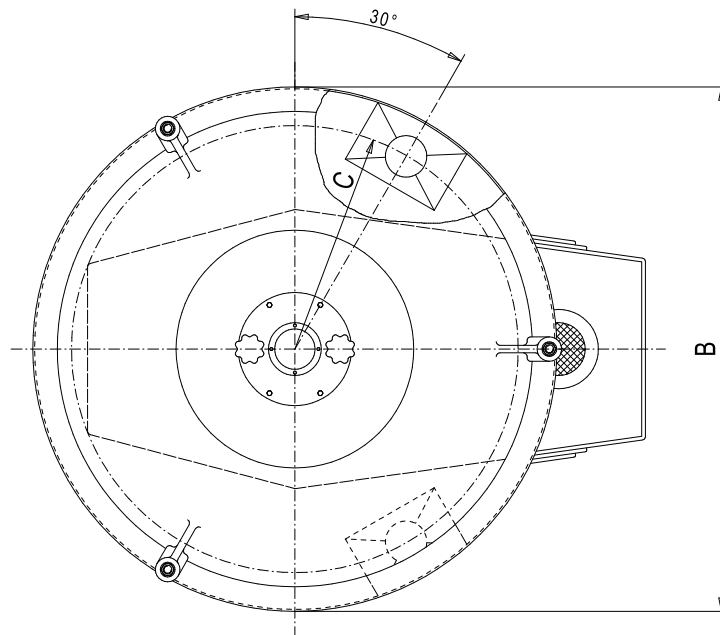
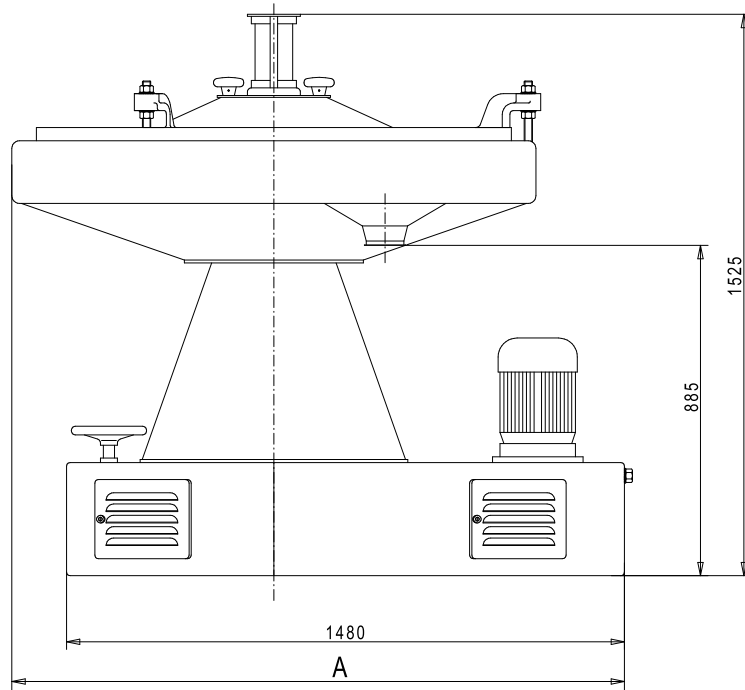
- The Underrunner Disc Sheller US is a multi purposed hulling machine
- Predominantly it is applied as a main sheller in rice mills
- But also as a sheller for oats, millet, lentils, buckwheat, spelt and other products as demonstrated by this machine´s high shelling efficiency

## Principle of operation

- If possible the product to be hulled should be sorted by length. The product goes via the glass tube and the feeding mechanism to the rotating lower stone
- By using the centrifugal force the product is flung into the hulling slot between the lower stone and the stationary upper stone
- The height of the hulling slot is regulated with a handwheel and so the most favourable hulling effect is adjusted
- The completely closed casing guarantees absolute dust-free work

## Main features

- Steel construction
- It runs vibration-free and quietly
- Simple operation
- Low maintenance
- Re-sharpenable stones
- Re-placement stone coverings
- ATEX-conformed design on request



| Type           | Drive power<br>(kW) | Stone diameter<br>(mm) | Dimensions       |                    |                  | Revolution of Stone<br>(U/min) | Throughput               |                          | Weight<br>(kg) |
|----------------|---------------------|------------------------|------------------|--------------------|------------------|--------------------------------|--------------------------|--------------------------|----------------|
|                |                     |                        | Length A<br>(mm) | Diameter B<br>(mm) | Radius C<br>(mm) |                                | Paddy, Spelled<br>(kg/h) | Klindryed Oats<br>(kg/h) |                |
| <b>US 1000</b> | 4,0 - 5,5           | 1000                   | 1510             | 1140               | 505              | 227                            | 1000                     | 500                      | 700            |
| <b>US 1250</b> | 5,5 - 7,5           | 1250                   | 1635             | 1390               | 630              | 172                            | 1200                     | 650                      | 965            |

We reserve the right to make technical modifications.  
MMW 2011/09